

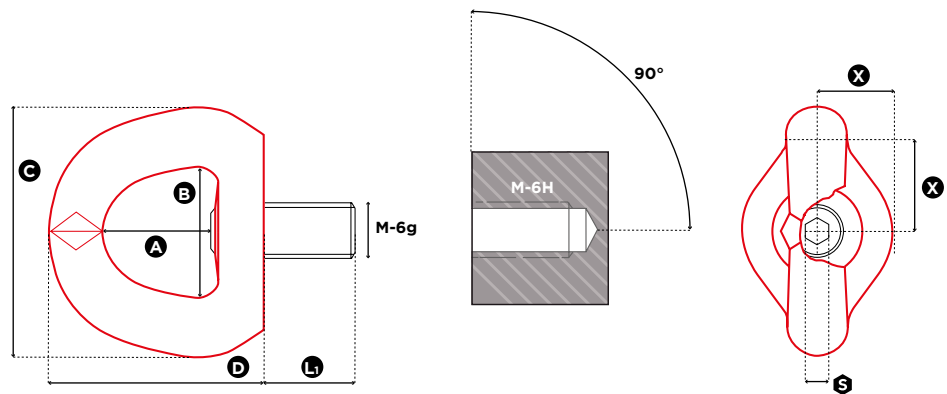
SEB

GradUp



SWIVEL EYE BOLT

METRIC THREADS



1 in = 25.4 mm

Reference	Diameter	SF 5:1 WLL (t)	SF 4:1 WLL (t)	Standard L ₁ (mm)	Torque (Nm)	X	S	A (mm)	B (mm)	C (mm)	D (mm)	Weight (kg)
SEB M 8 UP	M 8 (x1,25)	0,40	0,50	14	6	20	6	30	34	60	57	0,24
SEB M 10 UP	M 10 (x1,5)	0,50	0,70	17	10	20	6	30	34	60	57	0,24
SEB M 12 UP	M 12 (x1,75)	0,80	0,90	21	15	20	6	30	34	60	57	0,24
SEB M 16 UP	M 16 (x2)	1,40	1,80	27	50	35	8	38	45	88	80	0,8
SEB M 20 UP	M 20 (x2,5)	2,00	2,70	30	100	35	8	38	45	88	80	0,8
SEB M 24 3t8 UP	M 24 (x3)	3,20	3,80	36	160	35	14	38	45	88	80	0,8
SEB M 24 4t2 UP	M 24 (x3)	3,40	4,20	36	160	50	14	58	70	115	106	2,6
SEB M 30 UP	M 30 (x3,5)	5,50	6,30	45	250	50	14	58	70	115	106	2,7
SEB M 36 UP	M 36 (x4)	9,00	11,00	54	320	70	14	83	94	168	155	7,0
SEB M 42 UP	M 42 (x4,5)	12,00	15,00	63	400	70	14	83	94	168	155	7,0
SEB M 48 UP	M 48 (x5)	15,00	16,00	68	600	70	19	80	94	168	155	7,0

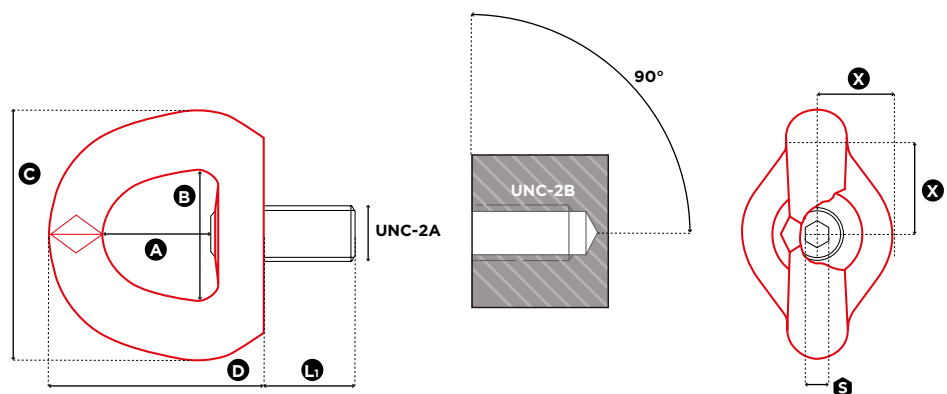
SEB

GradUp




SWIVEL EYE BOLT

UNC THREADS



1 in = 25.4 mm

Reference	Diameter	SF 5:1 WLL (lbs)	SF 4:1 WLL (lbs)	Standard L ₁ (mm)	Torque (ft-lb)			A (mm)	B (mm)	C (mm)	D (mm)	Weight (kg)
SEB U 038 UP	UNC 3/8"-16	1,200	1,500	17	8	20	6	30	34	60	57	0,24
SEB U 050 UP	UNC 1/2"-13	1,800	1,950	21	12	20	6	30	34	60	57	0,24
SEB U 058 UP	UNC 5/8"-11	3,200	4,000	27	40	35	8	38	45	88	80	0,8
SEB U 075 UP	UNC 3/4"-10	4,750	5,900	30	80	35	8	38	45	88	80	0,8
SEB U 100 UP	UNC 1"-8	7,500	9,300	36	125	50	14	58	70	115	106	2,6
SEB U 125 UP	UNC 1" 1/4-7	12,200	13,800	45	200	70	14	58	70	115	106	2,8
SEB U 150 UP	UNC 1" 1/2-6	20,000	25,000	62	240	70	14	83	94	168	155	7,0